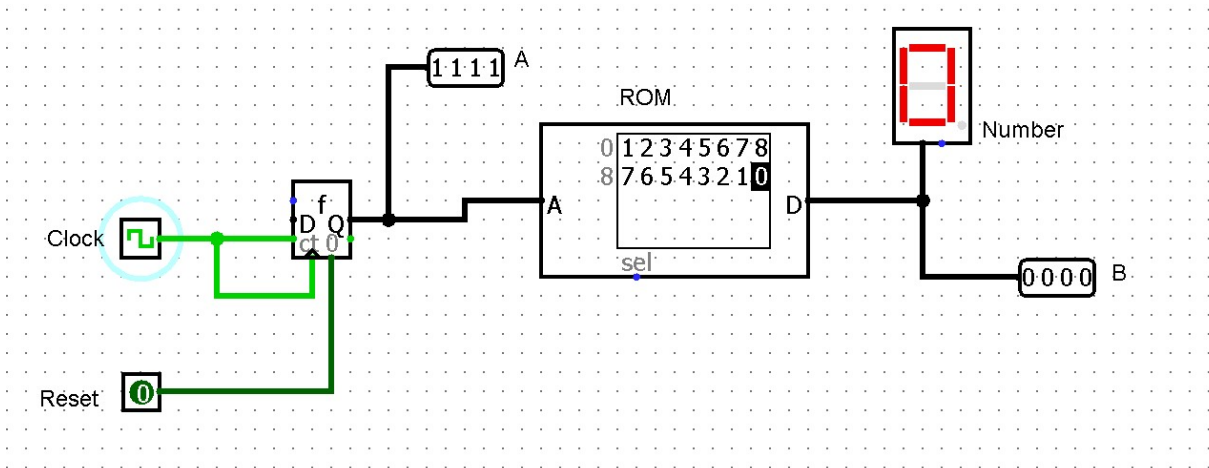


## Ülesanne 15

### 1. Koostada skeem



Lisainfo

Selection: Counter	
Data Bits	4
Maximum Value	0xf
Action On Overflow	Wrap around
Trigger	Rising Edge
Label	
Label Font	SansSerif Plain 12

Selection: Pin	
Facing	West
Output?	Yes
Data Bits	4
Three-state?	Yes
Pull Behavior	Unchanged
Label	A
Label Location	East
Label Font	SansSerif Plain 12

Selection: ROM	
Address Bit Width	4
Data Bit Width	4
Contents	(click to edit)

Selection: Hex Digit Display	
On Color	#f00000
Off Color	#dcdcdc
Background	#ffffff00

Selection: Pin	
Facing	West
Output?	Yes
Data Bits	4
Three-state?	Yes
Pull Behavior	Unchanged
Label	B
Label Location	East
Label Font	SansSerif Plain 12

2. Vasta küsimustele

<https://moodle.tktk.ee/mod/scorm/view.php?id=131130>

3. Viga

Küsimuses 9 võib esineda viga, puudub õige valik

Kui sisendid on:

A=0111

Mis on väljundi B

- 0100
- 1100
- 1010
- 1011
- 1001