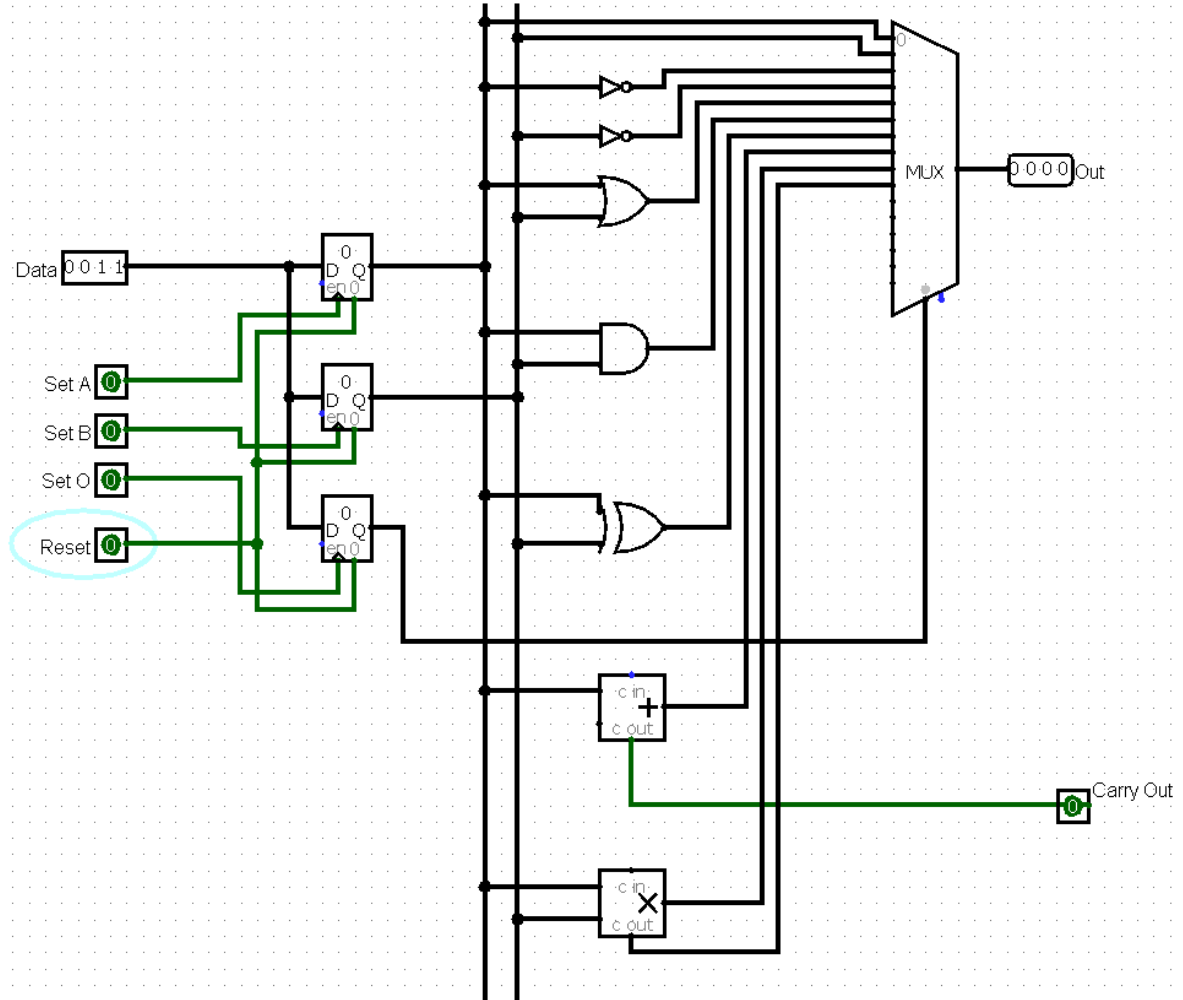


Ülesanne 38

1. Koostada skeem (ALU)



| Selection: Register | |
|----------------------------|--------------------|
| Data Bits | 4 |
| Trigger | Rising Edge |
| Label | |
| Label Font | SansSerif Plain 12 |

| Selection: Multiplexer | |
|-------------------------------|-------------|
| Facing | East |
| Select Location | Bottom/Left |
| Select Bits | 4 |
| Data Bits | 4 |
| Disabled Output | Floating |
| Include Enable? | Yes |

| Selection: OR Gate | |
|---------------------------|--------------------|
| Facing | East |
| Data Bits | 4 |
| Gate Size | Narrow |
| Number Of Inputs | 2 |
| Output Value | 0/1 |
| Label | |
| Label Font | SansSerif Plain 12 |
| Negate 1 (Top) | No |
| Negate 2 (Bottom) | No |

2. Vasta küsimustele (vt moodles)